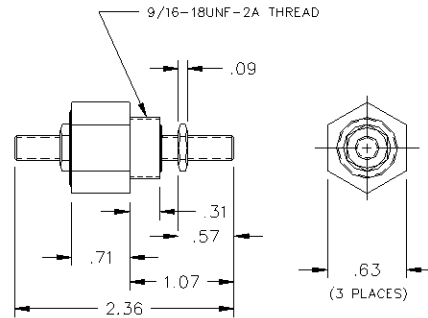


## High Current Mini Feedthru Capacitor

**BOLT-IN**  
**8-32UNC-2A**  
**DC - 400 Hz**



Termination Hardware Included

Captor High Current Mini Feedthru Capacitors are designed to comply with the applicable requirements of MIL-PRF-15733H.

**MECHANICAL:**

- |                                |                              |
|--------------------------------|------------------------------|
| 1) Case Material               | Brass                        |
| 2) Threaded Terminal Material  | Brass                        |
| 3) Finish (Case and Terminals) | Electro Tin-Lead Reflow      |
| 4) Line Terminations           | 8-32UNC-2A Threaded Terminal |
| 5) Load Terminations           | 8-32UNC-2A Threaded Terminal |
| 6) Weight                      | 0.2 lbs.                     |
| 7) Maximum Terminal Torque     | 14 lb•in                     |

**ELECTRICAL:**

- |                                    |                  |
|------------------------------------|------------------|
| 1) Rated AC Voltage                | 140 VAC          |
| 2) Rated DC Voltage                | 250 VDC          |
| 3) Rated Current                   | 25 Amps          |
| 4) Frequency                       | DC - 400 Hz      |
| 5) DWV                             | 600 VDC          |
| 6) Insulation Resistance @ 100 VDC | 5000 Megohms min |
| 7) Dissipation Factor @ 1 kHz      | < 0.7%           |

**ENVIRONMENTAL:**

- |                                |                   |
|--------------------------------|-------------------|
| 1) Operating Temperature Range | -55° C to +85° C  |
| 2) Storage Temperature Range   | -55° C to +105° C |

Capacitance Values Available:

Cap (uF)	Part No.	Cap (uF)	Part No.	Cap (uF)	Part No.	Cap (uF)	Part No.
0.009	FTM-9038	0.01	FTM-9039	0.012	FTM-9040	0.015	FTM-9041
0.018	FTM-9042	0.022	FTM-9043	0.027	FTM-9044	0.033	FTM-9045
0.039	FTM-9046	0.047	FTM-9047	0.056	FTM-9048	0.068	FTM-9049
0.082	FTM-9050	0.1	FTM-9051	0.12	FTM-9052		

Should you require additional information, please do not hesitate to contact us.